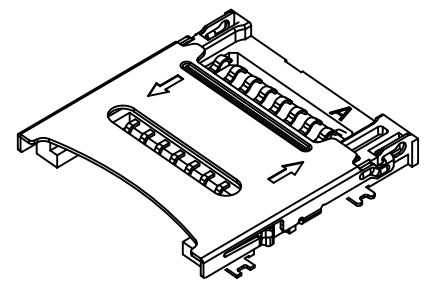
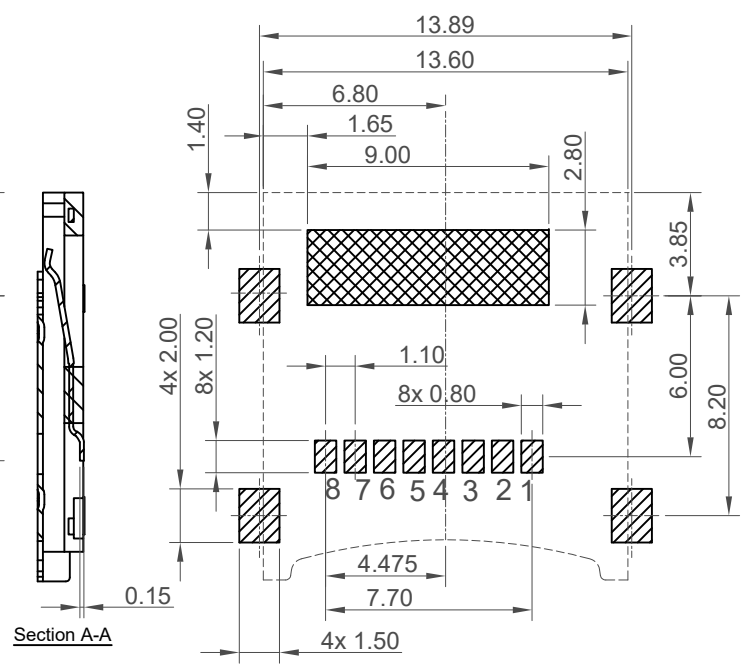
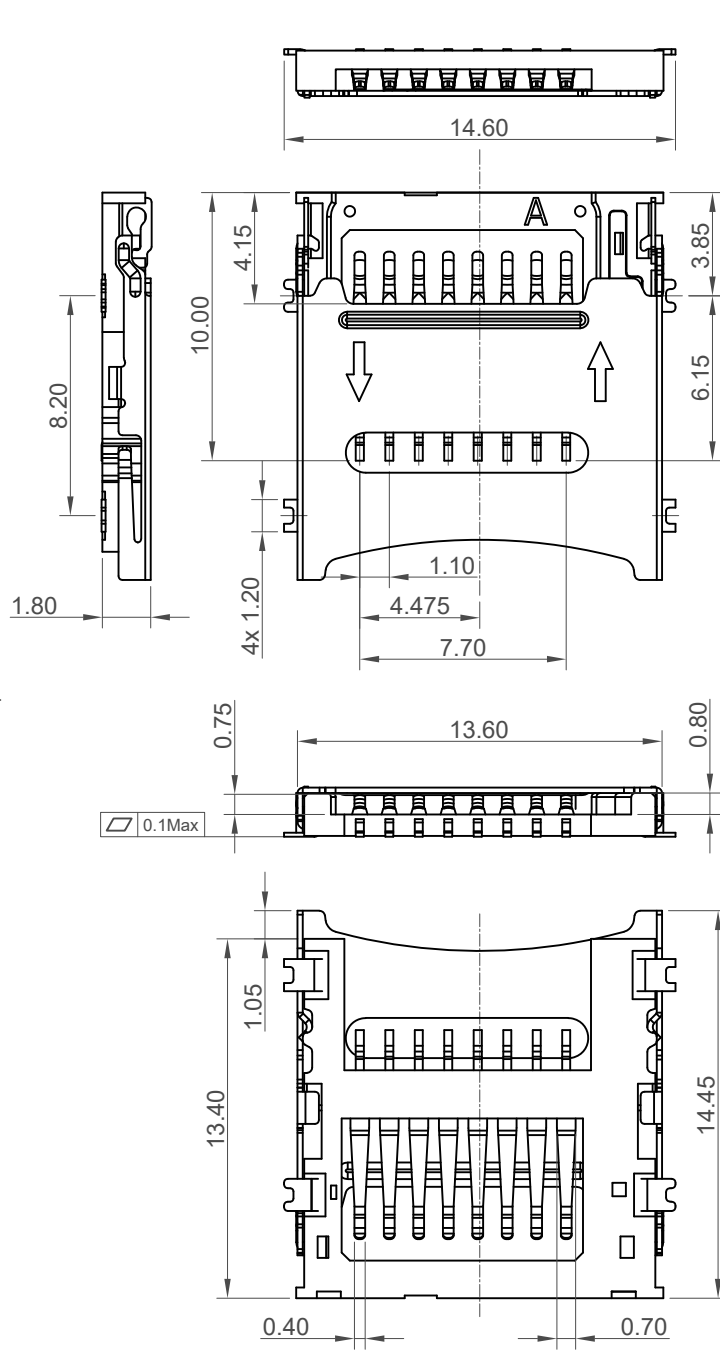


H
G
F
E
D
C
B
A



Specifications

Material
 Plastic Housing: LCP UL94V-0, Black
 Contact Terminal: Copper Alloy
 Metallic Shell: Stainless Steel
 SMT Hold-Down: Stainless Steel

Plating

Contact Terminal:
 Underplating: 50µm Nickel all over
 Contact Area: Gold Flash
 Soldering Area: Tin
 SMT Hold-Down: Tin over Nickel

Electrical

Voltage Rating: 100 V DC
 Current Rating: 0.5 A max.
 Contact Resistance: 100 mΩ max.
 Card Detection Switch
 Contact Resistance: 500 mΩ max.
 Insulation Resistance: 1000 MΩ min
 Dielectric Withstanding Voltage: 500V AC for 1 min.

Mechanical & Environmental

Operating Temperature: -40°C to +85°C
 Durability: 5000 Cycles

Recommended PCB Layout

General Tolerance: ±0.05
 [Hatched] Solder Area [Cross-hatched] Keep Out Area [Dashed] Component Outline

| Micro SD Card Pin Out | | |
|-----------------------|---------|--------------------------|
| Pin | Name | Description |
| P1 | DAT2 | Data Bit 2 |
| P2 | CD/DAT3 | Card Detect/Data Bit 3 |
| P3 | CMD | Command Line |
| P4 | VDD | Supply Voltage 2.7v/3.6v |
| P5 | CLK | Clock |
| P6 | VSS | Ground |
| P7 | DAT0 | Data Bit 0 |
| P8 | DAT1 | Data Bit 1 |

Ordering Grid

MEM2067-02-180-00-A Request Samples and Quotation

Switch: 02 = Without Switch
 Locating Post: 00 = Without
 Packing Options: A = Tape & Reel
 (Quantity per Reel: 1000 pcs)

| | | | |
|-----------------------------------|------------------|----------------------------------------------------------------|-----------------------------------------------------------|
| Part Number MEM2067 | | Product Description Micro SD Memory Card Connector | |
| Drawing Date 10th January 2014 | | SMT, Hinged, 1.80mm Profile | |
| By CC | MEM2067 B PCN | Tolerances (Except as Noted) | Units: Metric (mm) |
| Detail | B5 | Length: X. ± 0.35 X.X ± 0.25 X.XX ± 0.15 X.XXX ± 0.10 | Angle: X.° ± 5° X.X° ± 4° X.XX° ± 3° X.XXX° ± 2° |
| Revision Date | B5 21/03/23 | 3rd Angle Projection | |



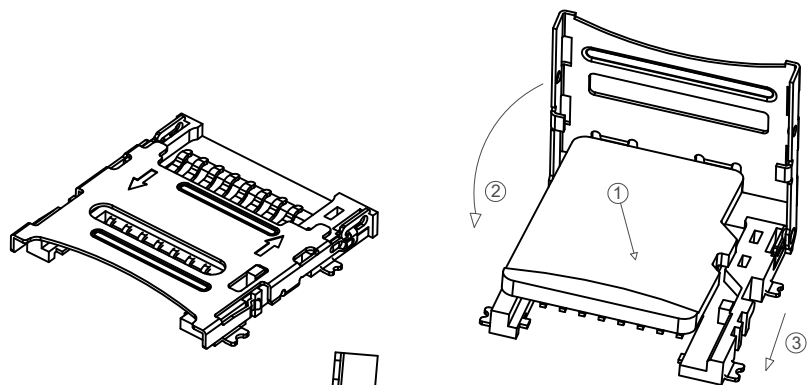
This drawing is confidential and copyright of Global Connector Technology, Ltd (GCT). This drawing must not be copied or disclosed without written consent. E & OE



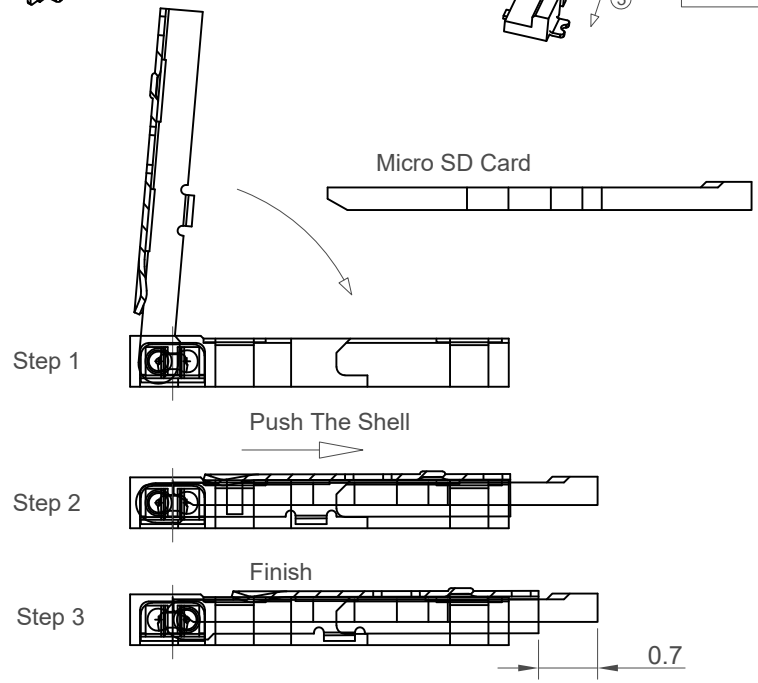
www.gct.co

| | | |
|--------------|-----------------|------------------|
| Not to Scale | Drawn By AJO | Sheet No. 1/3 |
|--------------|-----------------|------------------|

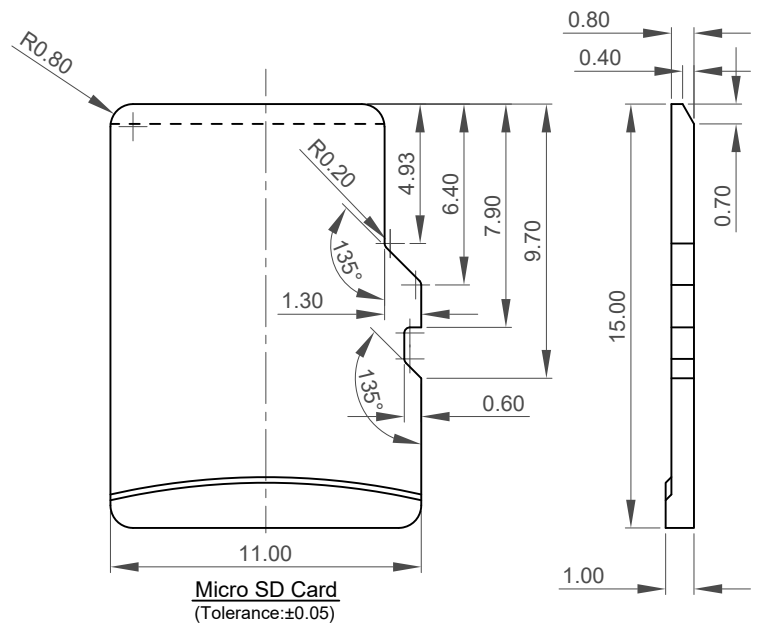
H
G
F
E
D
C
B
A



- ① Insert Card
- ② Close Lid
- ③ Slide Lid To Lock

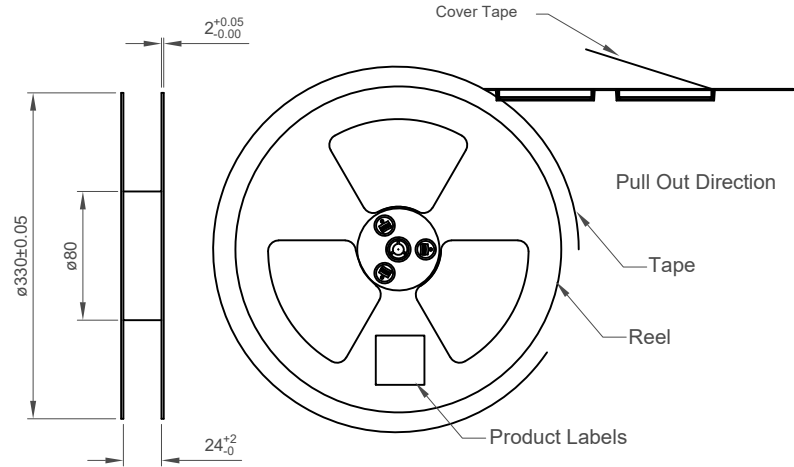


All drawings for illustrative purposes only.
Not representative of actual parts.

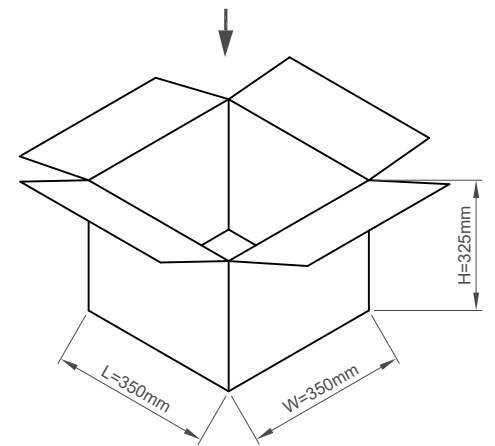
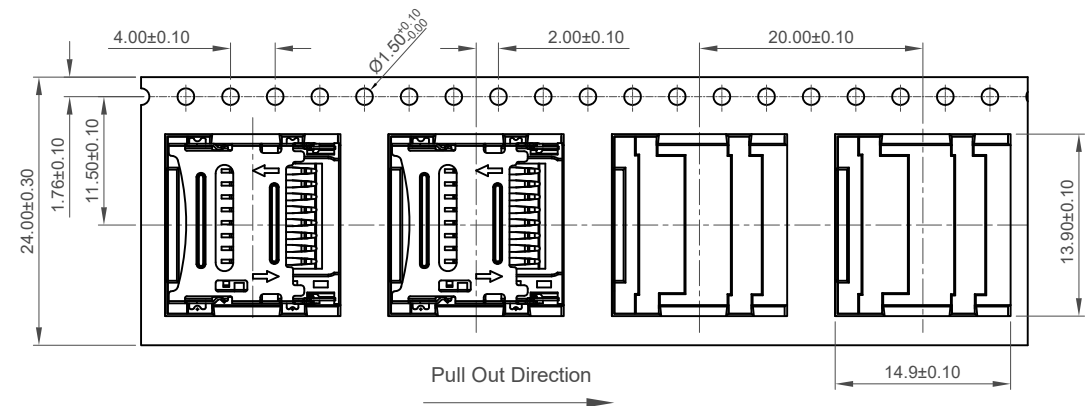
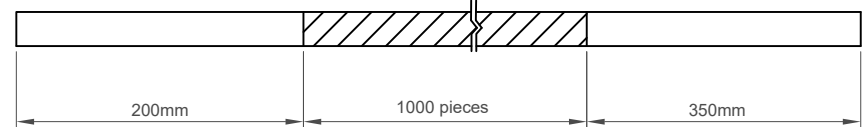
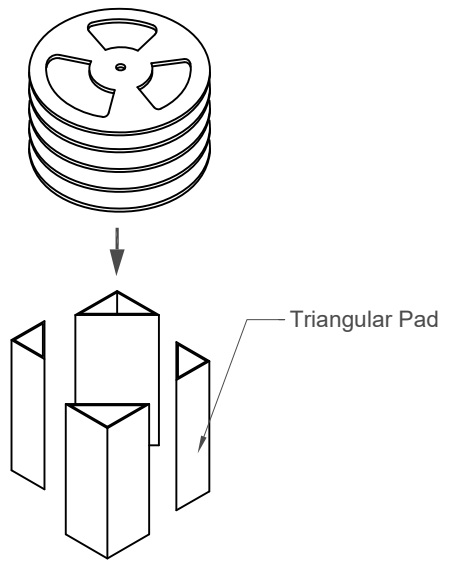


| | | | | | |
|-----------------------------------|------------------|--------------------------------------------------------------------------------------|-----------------------|--|--------------------------------------------------------------------------------------------------------------------------------------------------------------------|
| Part Number MEM2067 | | Product Description Micro SD Memory Card Connector SMT, Hinged, 1.80mm Profile | | | This drawing is confidential and copyright of Global Connector Technology, Ltd (GCT). This drawing must not be copied or disclosed without written consent. E & OE |
| Drawing Date 10th January 2014 | | | | | |
| By CC | MEM2067 B PCN | Tolerances (Except as Noted) | Units: Metric (mm) | | |
| Detail | B5 | Length X.X ± 0.35 | Angle X.X° ± 1° | | |
| Revision | 21/03/23 | X.XX ± 0.25 | X.X° ± 0.5° | | |
| Date | | X.XXX ± 0.150 | X.XX° ± 0.25° | | |
| Not to Scale | | Drawn By AJO | Sheet No. 2/3 | | |





| Product no. | PCS/Reel | Reels/Carton | PCS/Carton |
|-------------|----------|--------------|------------|
| MEM2067 | 1000 | 10 | 10000 |



- Notes:
1. Primary Packing: 1K pcs/reel
 2. Secondary Packing: 10 reel/carton
 3. Net Weight/carton : 9.30Kg
 4. Gross Weight/carton: 10.50Kg

| | | | |
|-------------------|------------------|---------------------------------------------------------------|-------------|
| Part Number | | Product Description | |
| MEM2067 | | Micro SD Memory Card Connector | |
| Drawing Date | | SMT, Hinged, 1.80mm Profile | |
| 10th January 2014 | | | |
| By | CC | Tolerances (Except as Noted) | Units: |
| Detail | MEM2067 B PCN | Length X. ± 0.35 X.X ± 0.25 X.XX ± 0.15 X.XXX ± 0.10 | Metric (mm) |
| Revision | B5 | Angle X.° ± 5° X.X° ± 4° X.XX° ± 3° X.XXX° ± 2° | |
| Date | 21/03/23 | | |



This drawing is confidential and copyright of Global Connector Technology, Ltd (GCT). This drawing must not be copied or disclosed without written consent. E & OE



| | | |
|--------------|--------------|---------------|
| Not to Scale | Drawn By AJO | Sheet No. 3/3 |
|--------------|--------------|---------------|