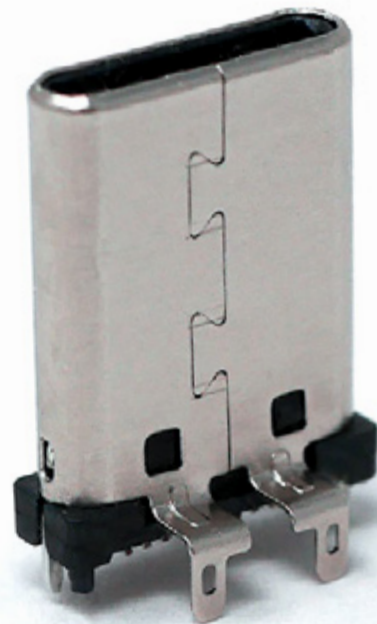


# USB4 15

Product Release



## GCT

USB Type-C Vertical Plug  
with small PCB footprint

[www.gct.co](http://www.gct.co)

USB4151 is a vertically-mounted USB Type-C plug connector using surface mount technology for pins and 5 shell stakes and 2 locating pegs for exceptional rigidity when attached to a PCB.

USB

**Type-C**

Operating Temp.

**-40 to +85°C**

USB Specification

**3.1**

Gender

**Plug**

Mating Cycles

**10,000**

Shell

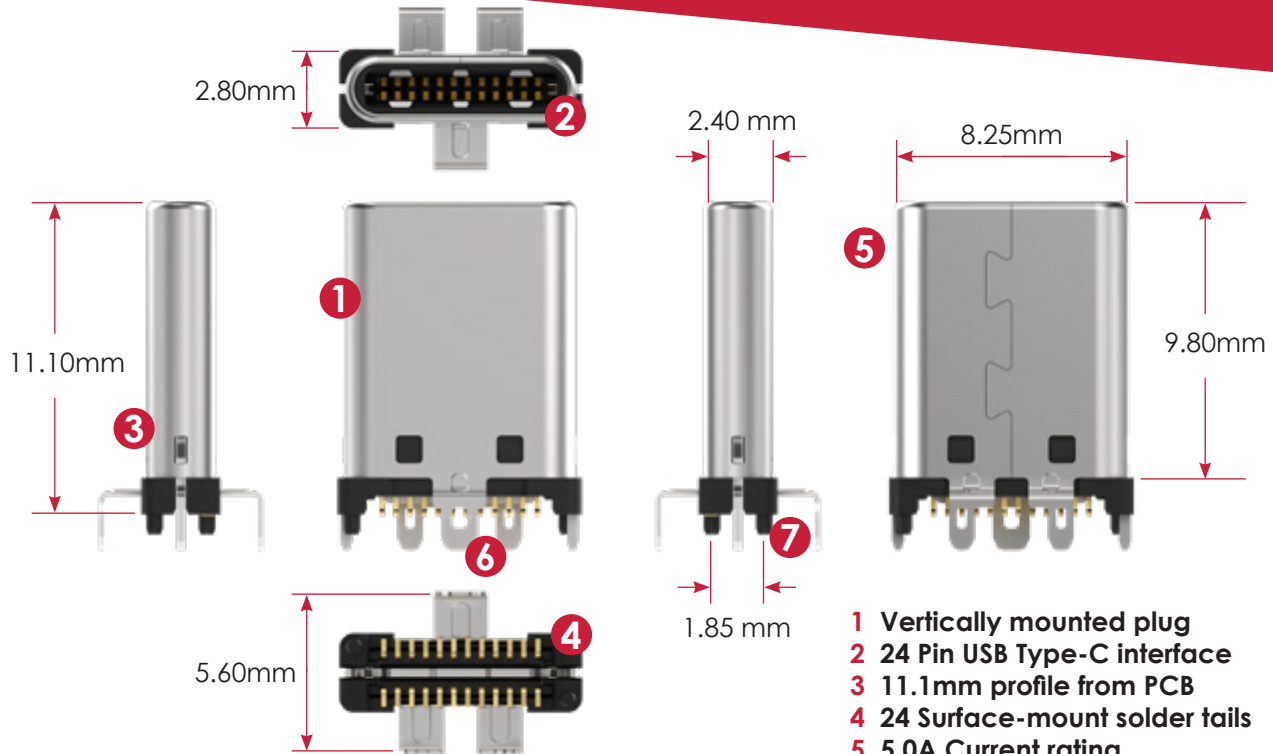
**Stainless Steel**

Rated for 10,000 mating cycles and with a 5A current rating, USB4151 is perfect for docking and charging applications, especially when paired with GCT's USB4070 Type-C vertically mounted receptacle.

- Gold plated contacts.
- Supplied in tape & reel packaging with pick & place cap (270 pieces per reel)



# Plan View



[gct.co/connector/usb4151](https://gct.co/connector/usb4151)

- 1 Vertically mounted plug
- 2 24 Pin USB Type-C interface
- 3 11.1mm profile from PCB
- 4 24 Surface-mount solder tails
- 5 5.0A Current rating
- 6 5 PCB shell stakes
- 7 2 Locating pegs

# USB Type-C Range



## USB4050 / 4055

- 24 Pin USB 3.1 Type-C Horizontal Receptacle
- Long body, 3.45mm profile, Hybrid PCB mount
- Outer shell stakes & Locating peg
- Mid-mount (4050) and Top-mount (4060) versions



## USB4060 / 4065

- 24 Pin USB 3.1 Type-C Horizontal Receptacle
- Short body, 3.46mm profile, Hybrid PCB mount
- Outer shell stakes & Locating peg
- Mid-mount (4060) and Top-mount (4065) versions



## USB4070

- 24 Pin USB 3.1 Type-C Vertical Receptacle
- 10.50mm profile, Top mount, Surface mount
- Outer shell stakes & Locating peg

[gct.co/usb-connector/usb-c](https://gct.co/usb-connector/usb-c)

**GCT**