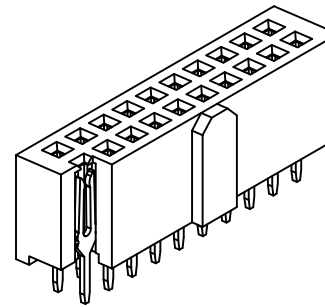
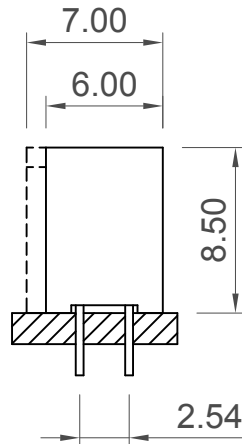
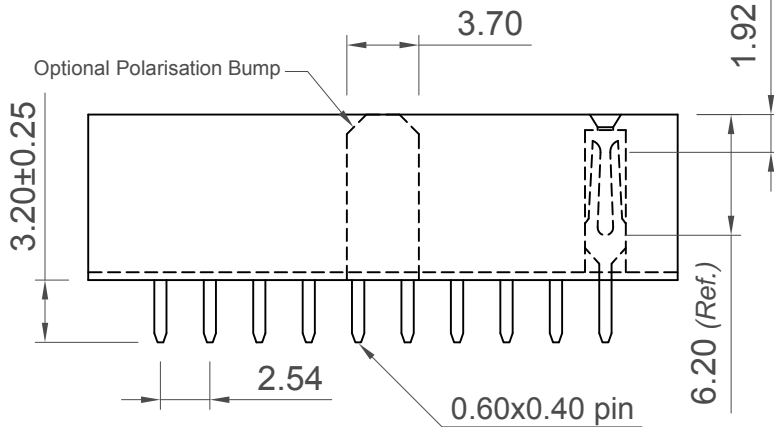


Recommended PCB Layout
General Tolerance: ±0.05



Number of Contacts	Dimensions	
	A	B
6	5.08	12.50
8	7.62	15.04
10	10.16	17.58
12	12.70	20.12
14	15.24	22.66
16	17.78	25.20
18	20.32	27.74
20	22.86	30.28
22	25.40	32.82
24	27.94	35.36
26	30.48	37.90
28	33.02	40.44
30	35.56	42.98
32	38.10	45.52
34	40.64	48.06
36	43.18	50.60
38	45.72	53.14

Number of Contacts	Dimensions	
	A	B
40	48.26	55.68
42	50.80	58.22
44	53.34	60.76
46	55.88	63.30
48	58.42	65.84
50	60.96	68.38
52	63.50	70.92
54	66.04	73.46
56	68.58	76.00
58	71.12	78.54
60	73.66	81.08
62	76.20	83.62
64	78.74	86.16
66	81.28	88.70
68	83.82	91.24
70	86.36	93.78
72	88.90	96.32

Specifications 规格

Material 物料

Insulator 绝缘体:
Standard 标准: Polyamide, Nylon 6T, UL94V-0
Options 可选: Polymer, LCP, UL94V-0
Polyester, PBT, UL94V-0
Contact 接触: Copper Alloy

Plating 电镀

Contact 接触: See Ordering Grid

Electrical 电气

Current Rating 电流额定值: 3 Amp Per Pin
Contact Resistance 接触电阻值: 20 mΩ max.
Insulation Resistance 绝缘电阻值: 1000 MΩ min.
Dielectric Withstand Voltage 耐电压: 600 V AC

Mechanical & Environmental 机械 & 环境

Operating Temperature 工作温度: -40°C to +105°C
Soldering Process 可焊性
Nylon 6T (Standard 标准物料)
IR Reflow 回流焊: 260°C for 10 sec.
Wave 波峰焊: 230°C for 5-10 sec.
Manual Solder 人工焊接: 350°C for 3-5sec
LCP (Option 可选物料)
IR Reflow 回流焊: 260°C for 10 sec.
Wave 波峰焊: 250°C for 5-10 sec
Manual Solder 人工焊接: 350°C for 3-5 sec
PBT (Option 可选物料)
Manual Solder 人工焊接: 330°C for 3-5sec
(Not for hi-temp process 不适合高温处理)

Mates with 配套之公头
(Subject to Pin Length 在端子长度适合的条件下)
BG041

Allowing perfect polarisation:
BG026 BG044 BG046 BG047

Non-Polarised mating connections available - contact GCT for details

Ordering Grid



No. of Contacts
06 to 72

Contact Plating

A = Gold Flash All Over (Standard)
B = Selective Gold Flash Contact Area/ Tin On Tail
C = Tin All Over
G = 10µ" Gold Contact Area/Tin On Tail
I = 30µ" Gold Contact Area/Tin On Tail

Packing Options

D = Tube (Standard)
F = Tube with Film
G = Plastic Box

Insulator Material

N = Nylon 6T (Standard)
L = LCP

Polarisation Bump

0 = Without
1 = With

Part Number		Product Description	
BG215		2.54mm Pitch Socket, Dual Row, Through-Hole, Vertical	
Drawing Date		9th April 2007	
By	CC	Tolerances (Except as Noted)	Units:
Detail	Drawing Release	Length X.X ± 0.38 X.XX ± 0.25 X.XXX ± 0.13	Angle X° ± 5° X.X° ± 2° X.XX° ± 1° X.XXX° ± 0.5°
Revision	A1	Metric (mm)	
Date	22/06/17		
This drawing is confidential and copyright of Global Connector Technology, Ltd (GCT). This drawing must not be copied or disclosed without written consent. E & OE			



Not to Scale	Drawn By BC	Sheet No. 1/1
--------------	-------------	---------------